

Replacement Parts

Logic 5 Operators Models J, H, and HJ

Electrical Box

Electrical Box Replacement Kits

To order a complete electrical box replacement kit, add a K-Prefix to the model number of your operator for example:

H501L5R (Operator) = K-H501L5R (Electrical Box Kit)

Service Kits

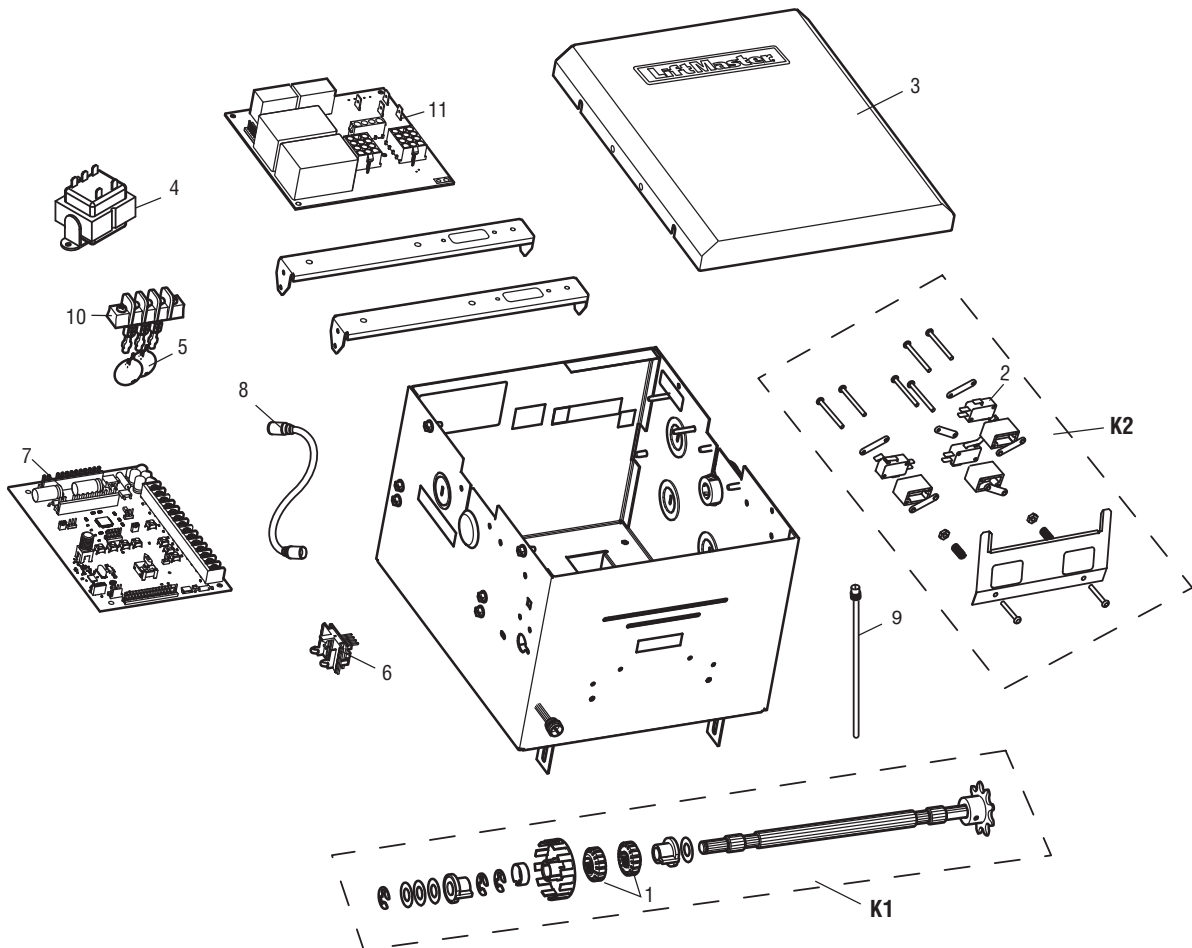
ITEM	PART#	DESCRIPTION
K1	K72-14130-1	Limit Shaft Kit Complete with: Limit Shaft, Limit Nuts, Limit Bearings, Limit Sprocket, Interrupter Cup, Shim Washers, Compression Ring, Roll Pin and E-Rings.
K2	K72-12515-1	Limit Switch Kit Complete with: Limit Nut Retainer, Switch Plates, Backup Plate, Depress Plates, Limit Switches, Standoffs, Screws and Locknuts.

Individual Parts

ITEM	PART#	DESCRIPTION
1	13-10024	Limit Nut
2	23-10041	Limit Switch
3	K75-36914-2	Cover
4	K21-14182	Transformer, 115/230 Volts, 20Va
	K21-36793	Transformer, 208-230/460 Volts, 20Va
	K21-35077	Transformer, 575 Volts, 40Va
5	K74-31243	MOV 580 Volts
6	K79-15016-1	RPM Sensor Assembly
7	K001D8075-1	Logic Board
8	K2A761	Coaxial Cable
9	K001C8103-1	Antenna
10	42-31246	Terminal Block
11	K001D8072-1	Single Phase Relay/Power Board
	K001D8073-1	Three Phase Relay/Power Board

NOT SHOWN

K94-36934 Wire Harness Kit



Model J

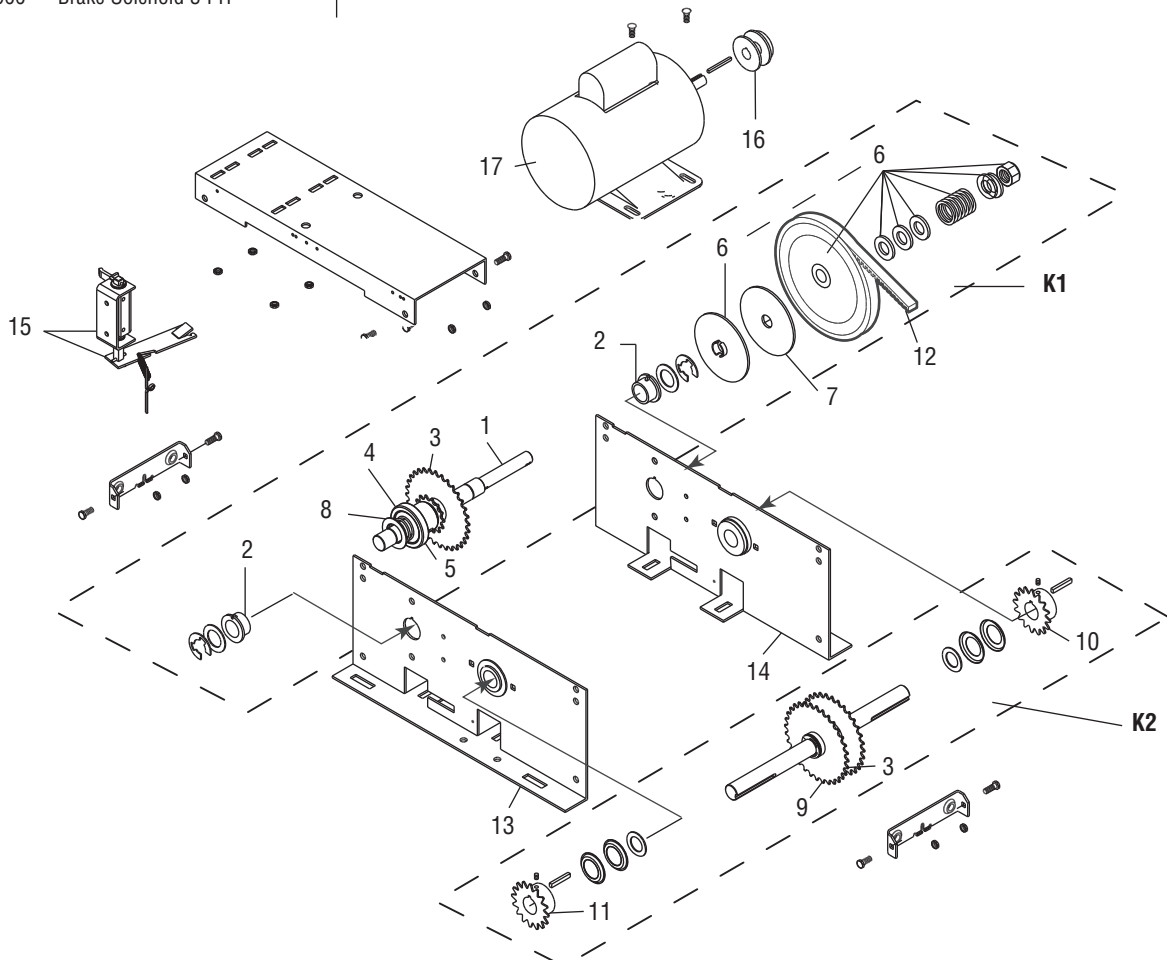
Service Kits

ITEM	PART#	DESCRIPTION
K1	K72-19975	Clutch Shaft Kit Complete with: Clutch Shaft, 1" Keyed Flange Bearings, Dual Sprocket 32/14, Splined Core Sprocket, E-Ring, Compression Spring, Pulley Assembly, Washers, Thrust Bearing, Retaining Ring, Splined Hub and Roll Pin.
K2	K72-19974	Output Shaft Kit Complete with: Output Shaft, Sprocket Assembly, Dual Sprocket 32/14, Sprocket 48B18x1" Bore, Sprocket 50B12x1" Bore, Ring, Washers, Set Screw, Roll Pin and Thin Walled Receiver.
NOT SHOWN		
71-B1PH		Single Phase Brake Kit
71-B3PH		Three Phase Brake Kit
71-B575-1		575 Volt Brake Kit Complete with: Brake Hub Kit, Brake Release Lever, Brake Disk, Spring Cup, Studs, Compression Springs, Brake Solenoid, Solenoid Cover, Spacers, Mounting Plate, Pressure Plate, Feather Key and Conduit.
K94-36992		Brake Cable Harness 1PH
K94-36994		Brake Cable Harness 3 PH
K22-36899		Brake Solenoid 1PH
K22-36900		Brake Solenoid 3 PH

Individual Parts

ITEM	PART#	DESCRIPTION
1		Clutch Shaft - J (Available only in complete Clutch Shaft Kit)
2	12-19504	Keyed Flange Bearing 1"
3	15-30822	Dual Sprocket 32/14*
4	15-19484	Splined Core Sprocket
5	18-30957	Compression Spring
6	K75-19985	Pulley Assembly
7	39-10167	Clutch Pad
8	80-19846	Splined Hub, J Disconnect
9	15-19478	Sprocket Assembly
10	15-48B18LGE	Sprocket 48B18x1"
11	15-50B12LGH	Sprocket 50B12x1"
12	16-5L304	Cogged Belt 30.4"
13	K75-19978-R	Frame Kit (Right)
14	K75-19978-L	Frame Kit (Left)
15	K75-19977	J Arm Kit
16	17-6014	Motor Pulley

ITEM	PART#	DESCRIPTION
17		
1/3HP	K20-1033B-2LP-H24	Motor - model J331L5
	K20-3033B-4P-H24	Motor - model J333L5
1/2HP	K20-1050B-2LP-H24	Motor - model J501L5
	K20-3050B-4P-H24	Motor - model J503L5
	K20-3050M-5-H25	Motor - model J505L5
3/4HP	K20-1075B-2LP-H24	Motor - model J751L5
	K20-3075B-4P-H24	Motor - model J753L5
	K20-3075M-5-H25	Motor - model J755L5
1HP	K20-1100B-2LP-H24	Motor - model J101L5
	K20-3100B-4P-H24	Motor - model J103L5
	K20-3100M-5-H25	Motor - model J105L5
NOT SHOWN		
	19-48047M	Roller Chain, #48x47 Pitch with Master Link



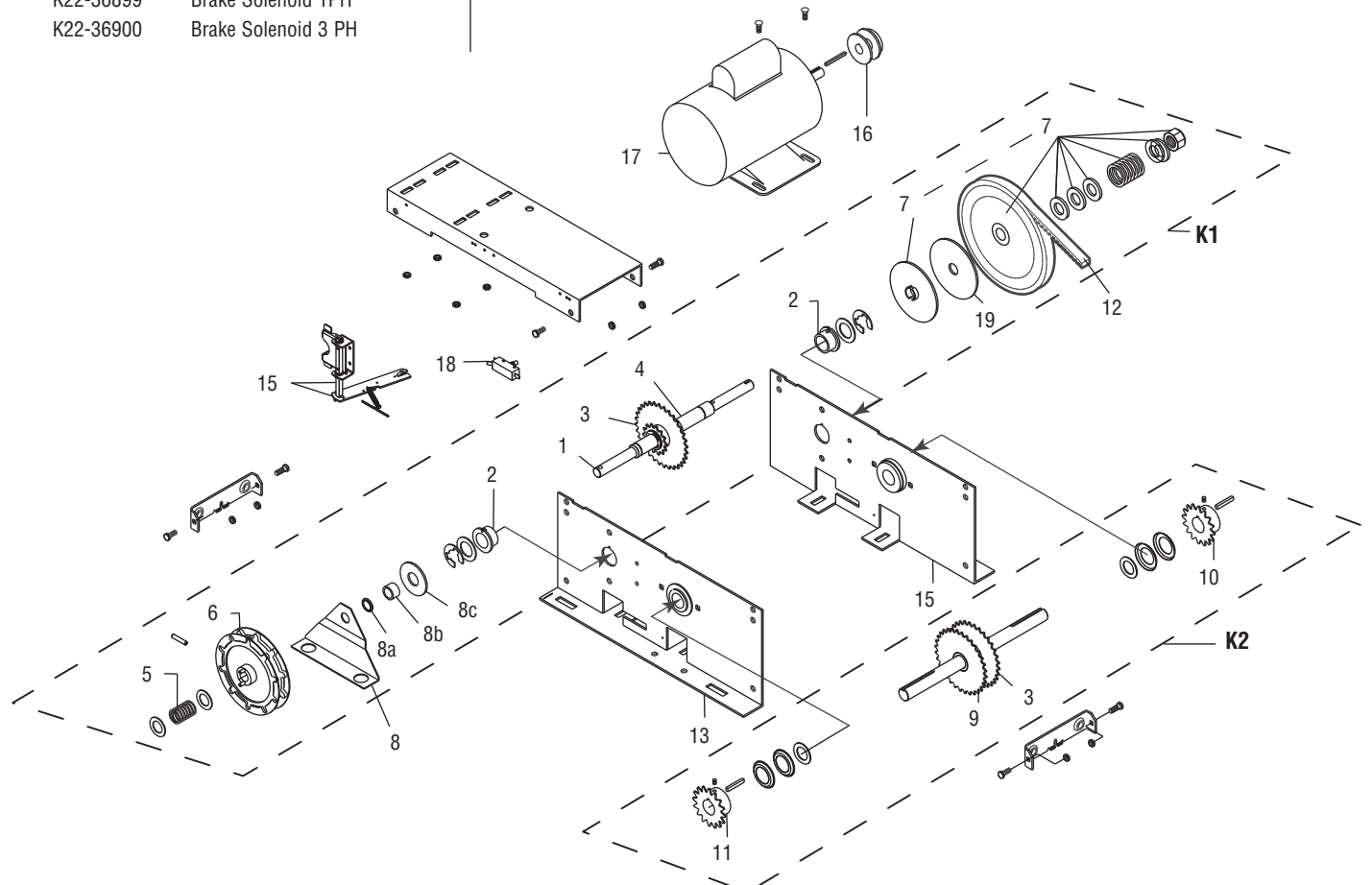
Model H

Service Kits

ITEM	PART#	DESCRIPTION
K1	K72-19979	Clutch Shaft Kit Complete with: Clutch Shaft, Keyed Flange Bearing, Dual Sprocket 32/14, 14 Tooth Sprocket, E-Ring, Compression Spring, Chain Wheel Assembly, Pulley Assembly, Chain Guide Assembly, Shim Washer, Washer, Thrust Washer and Roll Pins.
K2	K72-19974	Output Shaft Kit Complete with: Output Shaft, Sprocket Assembly, Dual Sprocket 32/14, Sprocket 48B18x1", Sprocket 50B12x1", Ring, Washer, Key, Set Screw, Roll Pin and Thin Walled Receivers.
NOT SHOWN		
71-B1PH		Single Phase Brake Kit
71-B3PH		Three Phase Brake Kit
71-B575-1		575 Volt Brake Kit Complete with: Brake Hub Kit, Brake Release Lever, Brake Disk, Spring Cup, Studs, Compression Springs, Brake Solenoid, Solenoid Cover, Spacers, Mounting Plate, Pressure Plate, Feather Key and Conduit.
K73-HFRAME-L		H Frame Kit, Left Hand
K73-HFRAME-R		H Frame Kit, Right Hand
K94-36992		Brake Cable Harness 1PH
K94-36994		Brake Cable Harness 3 PH
K22-36899		Brake Solenoid 1PH
K22-36900		Brake Solenoid 3 PH

Individual Parts

ITEM	PART#	DESCRIPTION	ITEM	PART#	DESCRIPTION
1	11-19471	Clutch Shaft - H	17		
2	12-19504	Keyed Flange Bearing 1"	1/3HP	K20-1033B-2LP-H24	Motor - model H331L5
3	15-30822	Dual Sprocket 32/14*		K20-3033B-4P-H24	Motor - model H333L5
4	15-19481	Sprocket, 14 Tooth	1/2HP	K20-1050B-2LP-H24	Motor - model H501L5
5	18-11379	Compression Spring		K20-3050B-4P-H24	Motor - model H503L5
6	75-10884	Chain Wheel Assembly		K20-3050M-5-H25	Motor - model H505L5
7	K75-19985	Pulley Assembly	3/4HP	K20-1075B-2LP-H24	Motor - model H751L5
8	10-10882	Chain Guide		K20-3075B-4P-H24	Motor - model H753L5
8a	12-10883	Nyliner Bearing		K20-3075M-5-H25	Motor - model H755L5
8b	12-10882	Bushing .753 I.D. x 5/8"	1HP	K20-1100B-2LP-H24	Motor - model H101L5
8c	80-10883	Washer Spacer		K20-3100B-4P-H24	Motor - model H103L5
9	15-19478	Sprocket Assembly		K20-3100M-5-H25	Motor - model H105L5
10	15-48B18LGE	Sprocket 48B18x1"	18	23-10916	Interlock Switch
11	15-50B12LGH	Sprocket 50B12x1"	19	39-10167	Clutch Disk
12	16-5L304	Cogged Belt 30.4"	NOT SHOWN		
13	K75-19978-R	Frame Kit (Right)	19-48047M		Roller Chain, #48x47 Pitch with Master Link
14	K75-19978-L	Frame Kit (Left)	12-10891		1" Flange Ball Bearing
15	K75-19981	Arm Kit - H			
16	17-6014	Motor Pulley			



Model HJ

Service Kits

ITEM	PART#	DESCRIPTION
K1	K72-19982	Clutch Shaft Kit Complete with: Clutch Shaft, Keyed Flange Bearing, Dual Sprocket 32/14, Splined Core Sprocket, E-Ring, Compression Spring, Pulley Assembly, Thick Washer, Thrust Bearing, Retaining Ring, Splined Hub, Washer and Roll Pin.
K2	K72-19974	Output Shaft Kit Complete with: Output Shaft, Sprocket Assembly, Dual Sprocket 32/14, Sprocket 48B18x1", Sprocket 50B12x1", E-Ring, Washer, Key, Set Screw 5/16"-18, Roll Pin and Thin Walled Receiver.
NOT SHOWN		
71-B1PH		Single Phase Brake Kit
71-B3PH		Three Phase Brake Kit
71-B575-1		575 Volt Brake Kit Complete with: Brake Hub Kit, Brake Release Lever, Brake Disk, Spring Cup, Studs, Compression Springs, Brake Solenoid, Solenoid Cover, Spacers, Mounting Plate, Pressure Plate, Feather Key and Conduit.
K73-HJFRAME-L		HJ Frame Kit, Left Hand
K73-HJFRAME-R		HJ Frame Kit, Right Hand
K94-36992		Brake Cable Harness 1PH
K94-36994		Brake Cable Harness 3 PH
K22-36899		Brake Solenoid 1PH
K22-36900		Brake Solenoid 3 PH

Individual Parts

ITEM	PART#	DESCRIPTION	ITEM	PART#	DESCRIPTION
1	11-19473	Clutch Shaft - HJ	21		
2	12-19504	Keyed Flange Bearing 1"	1/3HP	K20-1033B-2LP-H24	Motor - model HJ331L5
3	15-30822	Dual Sprocket 32/14*		K20-3033B-4P-H24	Motor - model HJ333L5
4	15-19484	Splined Core Sprocket	1/2HP	K20-1050B-2LP-H24	Motor - model HJ501L5
5	18-11379	Compression Spring		K20-3050B-4P-H24	Motor - model HJ503L5
6	18-30957	Compression Spring		K20-3050M-5-H25	Motor - model HJ505L5
7	75-10884	Chain Wheel Assembly	3/4HP	K20-1075B-2LP-H24	Motor - model HJ751L5
8	K75-19985	Pulley Assembly		K20-3075B-4P-H24	Motor - model HJ753L5
9	39-10167	Clutch Pad		K20-3075M-5-H25	Motor - model HJ755L5
10	10-10882	Chain Guide	1HP	K20-1100B-2LP-H24	Motor - model HJ101L5
10A	12-10883	Nyliner Bearing		K20-3100B-4P-H24	Motor - model HJ103L5
10B	12-10882	Bushing .753 I.D. x 5/8"		K20-3100M-5-H25	Motor - model HJ105L5
10C	80-10883	Washer Spacer	22	23-10916	Interlock Switch
11	80-19846	Splined Hub	NOT SHOWN		
12	15-19478	Sprocket Assembly	19-48047M		Roller Chain, #48x47 Pitch with Master Link
13	15-48B18LGE	Sprocket 48B18x1"			
14	15-50B12LGH	Sprocket 50B12x1"			
15	16-5L304	Cogged Belt 30.4"			
16	K75-19978-R	Frame Kit (Right)			
17	K75-19978-L	Frame Kit (Left)			
18	K75-19977	Arm Kit - Right			
19	K75-19981	Arm Kit - Left			
20	17-6014	Motor Pulley			

